


spec ref		dr	Chen-Hong Tan	2005/08/17	projection	mm	size	A3	scale	2:1	
tolerance std		eng	N Anandakumar	2015/01/09			ecn no		ELX-S-19829-1		
ASME Y14.5		chr	-	-			rel level		Released		
-		TOLERANCES UNLESS OTHERWISE SPECIFIED		appr	Chen-Hong Tan	2015/01/14	product family		HG. SPD. BACKPANEL		
surface	3.2	linear	0.X	±0.3		title		10.8mm R/A GUIDE PIN		dwg no 10044366	rev C
			0.XX	±0.10		www.fci.com		4/5 PAIR			
			0.XXX	±0.050		cat. no.		-			
		angular	0°	±2°	Product - Customer Drw		sheet 1 of 2				

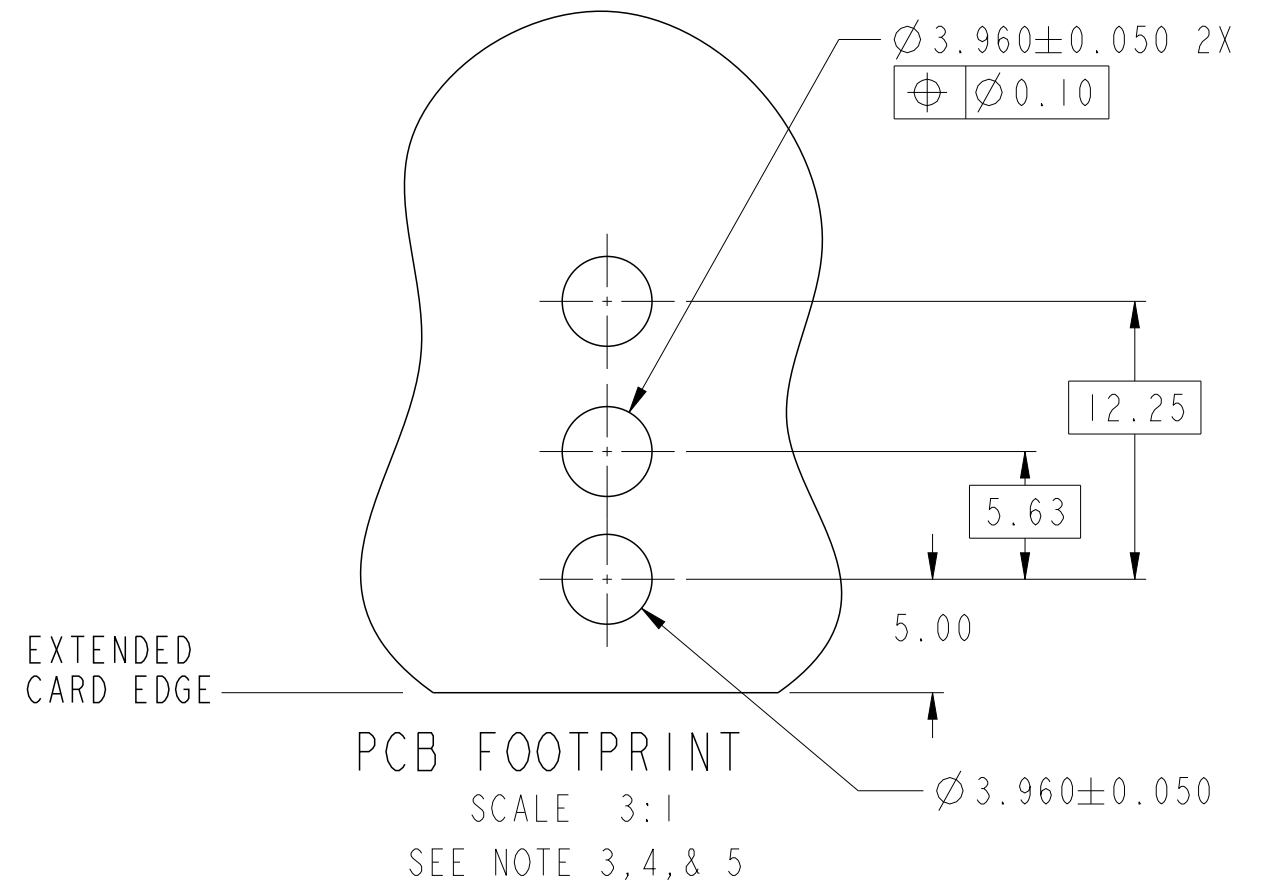


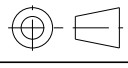

Copyright FCI.

PART NUMBER	DIM A°
10044366-101LF	0°
10044366-102LF	45°
10044366-103LF	90°
10044366-104LF	135°
10044366-105LF	180°
10044366-106LF	225°
10044366-107LF	270°
10044366-108LF	315°

NOTES:

- ① MATERIAL: ZINC ALLOY.
- ② FINISH: ZINC YELLOW CHROMATE.
- ③ PRELIMINARY APPLICATION SPECIFICATION: GS-20-045.
- ④ REFER TO CUSTOMER DRAWING 10035911 FOR INFORMATION REGARDING PCB LAYOUT OF POWER AND GUIDE MODULES RELATIVE TO SIGNAL MODULES.
- ⑤ RIGHT ANGLE PIN MODULE HAS THE SAME PCB FOOTPRINT AS THE RIGHT ANGLE GUIDE SOCKET.
- 6 THIS PRODUCT MEETS EUROPEAN UNION DIRECTIVES AND OTHER COUNTRY REGULATIONS AS DESCRIBED IN GS-22-008.
- 7 PACKAGING MEETS GS-14-920 LEAD FREE LABELING SPECIFICATION.
- 8 A  SYMBOL WILL BE NEXT TO ANY DIMENSION, VIEW OR NOTE WHICH HAS BEEN MODIFIED WITH THE CURRENT DRAWING REVISION.



spec ref		dr	Chen-Hong Tan	2005/08/17	projection	mm	size	A3	scale	1:1			
tolerance std		eng	N Anandakumar	2015/01/09		← →	ecn no		ELX-S-19829-1				
ASME Y14.5		chr	-	-			rel level		Released				
-		TOLERANCES UNLESS OTHERWISE SPECIFIED		appr	Chen-Hong Tan	2015/01/14	product family		HG. SPD. BACKPANEL				
surface	3.2	linear	0.X	±0.3		title		10.8mm R/A GUIDE PIN		dwg no	10044366	rev	C
			0.XX	±0.10		4/5 PAIR		cat. no.		-		Product - Customer Drw	
		angular	0°	±2°		www.fci.com		sheet 2 of 2					