

3-Channel Clock Distribution Buffer

Key Features

- Low current consumption:
 - 2.7mA-typ (VDD=1.8V, CL=0)
- 1.70V to 3.65V power supply operation
- 10MHz to 52MHz CLKIN range
- Supports LVCMOS or Sine Inputs
- Supports 3 single-ended LVCMOS square wave or clipped sine wave outputs
- OE1/2/3 functions for each CLKOUT1/2/3 outputs
- OE_OSC control pin to enable external TCXO/XO
- Ultra-Low phase noise
- Ultra low standby current
- 10-pin TDFN package (1.4x2.0x0.75 mm)
- Industrial -40 °C to 85 °C temperature range

Application

- Smart Mobile Handsets
- Multi-mode RF Clock Distribution
- Baseband Peripheral Clock Distribution

Description

The SL18861DI product is a high performance 3 output clock distribution buffer and provides 3 outputs from a single input clock by using SLI proprietary low phase noise and low power dissipation circuit design.

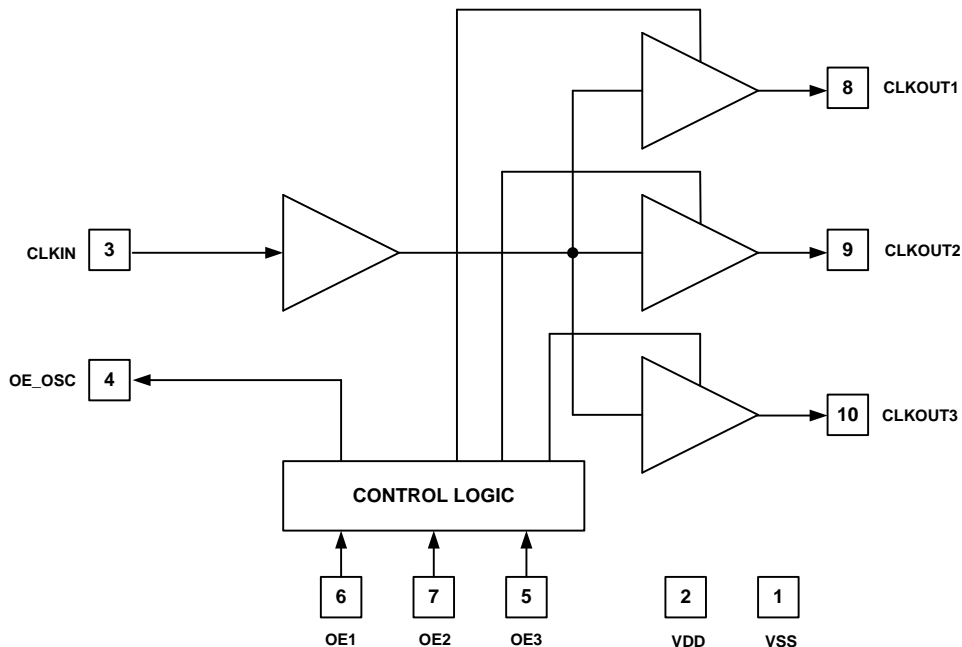
The SL18861DI can be used in baseband mobile RF applications including WLAN, Bluetooth and DVB-H as an input clock reference. The product designed to isolate each device driven by their clock outputs to minimize interference between these devices.

Each of the clock buffer outputs can be individually disabled by using OE1/2/3 control pins to reduce the power consumption if the connected device does not need the clock. The device operates from single power supply from 1.70V to 3.65V and from -40 °C to 85 °C.

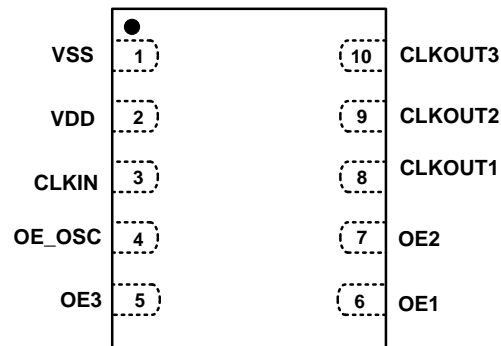
Benefits

- Fast Time-to-market
- Cost Reduction
- Low Power Dissipation
- Low Phase Noise

Block Diagram



Pin Configuration



10-Pin TDFN Package Pinout

Pin Description

| Pin Number | Pin Name | Pin Type | Pin Description |
|------------|----------|----------|---|
| 1 | VSS | Power | Power supply ground. |
| 2 | VDD | Power | 2.25 to 3.65V or 1.8V +/-5% positive power supply |
| 3 | CLKIN | Input | External clock input pin. VSS to VDD CMOS level. |
| 4 | OE_OSC | Output | Crystal oscillator enable pin. If OE1=OE2=OE3=0 then OE_OSC=0. OE_OSC=1 for all the other OE1/2/3 logic states. |
| 5 | OE3 | Input | Output enable pin for CLKOUT3. The input has 150kΩ-typ on-chip pull-down resistor. |
| 6 | OE1 | Input | Output enable pin for CLKOUT1. The input has 150kΩ-typ on-chip pull-down resistor. |
| 7 | OE2 | Input | Output enable pin for CLKOUT2. The input has 150kΩ-typ on-chip pull-down resistor. |
| 8 | CLKOUT1 | Output | Clock output-1. Clock frequency is the same as CLKIN. |
| 9 | CLKOUT2 | Output | Clock output-2. Clock frequency is the same as CLKIN. |
| 10 | CLKOUT3 | Output | Clock output-3. Clock frequency is the same as CLKIN. |

| OE1 (Input) | OE2 (Input) | OE3 (Input) | OE_OSC (Output) | CLKOUT1 | CLKOUT2 | CLKOUT3 |
|-------------|-------------|-------------|-----------------|---------|---------|---------|
| 0 | 0 | 0 | 0 | Hi-Z | Hi-Z | Hi-Z |
| 1 | 0 | 0 | 1 | CLOCK | Hi-Z | Hi-Z |
| 1 | 1 | 0 | 1 | CLOCK | CLOCK | Hi-Z |
| ... | ... | ... | ... | ... | ... | ... |
| 1 | 1 | 1 | 1 | CLOCK | CLOCK | CLOCK |

Table 1. Truth Table for OE1/2/3, OE_OSC and CLKOUT1/2/3

Absolute Maximum Ratings

| Description | Condition | Min | Max | Unit |
|----------------------------------|--------------------------------|--------|---------|------|
| Supply voltage, VDD (Absolute) | | -0.5 | 4.6 | V |
| Supply voltage, VDD (Operation) | | 1.65 | 3.63 | V |
| All Inputs and Outputs | | -0.5 | VDD+0.5 | V |
| Ambient Operating Temperature | In operation, C-Grade | -40 | 85 | °C |
| Storage Temperature | No power is applied | -65 | 150 | °C |
| Junction Temperature | In operation, power is applied | - | 125 | °C |
| Soldering Temperature | | - | 260 | °C |
| ESD Rating (Human Body Model) | JEDEC22-A114D | -4,000 | 4,000 | V |
| ESD Rating (Charge Device Model) | JEDEC22-C101C | -1,500 | 1,500 | V |
| ESD Rating (Machine Model) | JEDEC22-A115D | -200 | 200 | V |

DC Electrical Characteristics (I-Grade)

Unless otherwise stated VDD= 1.8V+/- 5% and Operation Temperature Range -40 to +85°C

| Description | Symbol | Condition | Min | Typ | Max | Unit |
|--------------------------|--------|-------------------------------------|---------|-----|--------|------|
| Operating Voltage | VDD | Operation range, 1.8V+/-5% | 1.70 | - | 1.90 | V |
| Operating Temperature | TA | I-Grade | -40 | 25 | 85 | °C |
| Input Low Voltage | VIL | CMOS Level, Pins 3,5, 6 and 7 | VSS | - | 0.3VDD | V |
| Input High Voltage | VIH | CMOS Level, Pins 3,5, 6 and 7 | 0.7VDD | - | VDD | V |
| Output High Voltage | VOH | IOH=-4mA , Pins 4, 8, 9 and 10 | VDD-0.4 | - | - | V |
| Output Low Voltage | VOL | IOL=-4mA, Pins 4, 8, 9 and 10 | - | - | 0.4 | V |
| Input Leakage Current | ILH | VIN=VDD, Pins 5, 6 and 7 | -25 | - | 25 | µA |
| Input Leakage Current | ILL | VIN=GND, Pins 5, 6 and 7 | -10 | - | 10 | µA |
| Pull-Down Resistor | RPD | Pins 5, 6 and 7 | 100 | 150 | 250 | kΩ |
| Operating Supply Current | IDD1 | CLKIN=26MHz, OE1=OE2=OE3=1, CL=0 | - | 2.7 | - | mA |
| Operating Supply Current | IDD2 | OE1=OE2=OE3=0 CLKIN=Low or High | - | - | 1.0 | µA |
| Input Capacitance | CIN | Pins 5, 6 and 7 | - | 3 | 5 | pF |
| Load Capacitance | CL | CLKOUT1/2/3, Pins 8, 9 and 10 | - | 10 | 20 | pF |

AC Electrical Characteristics (I-Grade)

Unless otherwise stated VDD= 1.8V+/- 5% and Operation Temperature Range -40 to +85°C

| Parameter | Symbol | Condition | Min | Typ | Max | Unit |
|---------------------------------|--------|--|------|--------|------|--------|
| Input Clock Range | CLKIN | External Clock, CMOS square wave or sine wave | 10 | 26.000 | 52 | MHz |
| Output Clock Range | CLKOUT | External Clock, CMOS square wave CLKOUT1/2/3 | 10 | 26.000 | 52 | MHz |
| Input Clock Voltage Swing Level | VINpp | VDD=1.8V | 0.72 | 1 | - | Vpp |
| Input Duty Cycle | DCIN | CLKIN, Pin 3 | 30 | 50 | 70 | % |
| Output Clock Rise Time | tr | VDD=1.8, CL=10pF, measured from 10 to 90% of VDD, Pins 4, 8, 9 and 10 | - | 2.0 | 4.00 | ns |
| Output Clock Fall Time | tf | VDD=1.8, CL=10pF, measured from 10 to 90% of VDD, Pins 4, 8, 9 and 10 | - | 2.0 | 4.00 | ns |
| Additive Phase Noise | APN-1 | CLKIN=26MHz and 1 kHz offset CLKOUT1/2/3 | - | -140 | - | dBc/Hz |
| Additive Phase Noise | APN-2 | CLKIN=26MHz and 10 kHz offset CLKOUT1/2/3 | - | -150 | - | dBc/Hz |
| Additive Phase Noise | APN-3 | CLKIN=26MHz and 100 kHz offset CLKOUT1/2/3 | - | -159 | - | dBc/Hz |
| Power-up Time | tPU | Time duration until CLKOUT1/2/3 frequency reaches valid frequency after power supply reaches 0.9xVDD value | - | 100 | 200 | ns |
| Output Enable Time | tOE1 | Time from OE raising edge to active at outputs CLKOUT1/2/3 (Asynchronous) | - | 25 | - | ns |
| Output Disable Time | tOD | Time from OE falling edge to Hi-Z at outputs CLKOUT1/2/3 (Asynchronous) | - | 25 | - | ns |
| Output Enable Time | tOE2 | Active recovery time from standby (CLKIN=0 or 1) to active at outputs CLKOUT1/2/3 | - | 100 | - | ns |

DC Electrical Characteristics (I-Grade)

Unless otherwise stated VDD= 2.5V+/- 10% and Operation Temperature Range -40 to +85°C

| Description | Symbol | Condition | Min | Typ | Max | Unit |
|--------------------------|--------|-------------------------------------|---------|------|--------|------|
| Operating Voltage | VDD | Operation range, 2.5V+/-10% | 2.25 | 2.50 | 2.75 | V |
| Operating Temperature | TA | I-Grade | -40 | 25 | 85 | °C |
| Input Low Voltage | VIL | CMOS Level, Pins 3,5, 6 and 7 | VSS | - | 0.3VDD | V |
| Input High Voltage | VIH | CMOS Level, Pins 3,5, 6 and 7 | 0.7VDD | - | VDD | V |
| Output High Voltage | VOH | IOH=-4mA , Pins 4, 8, 9 and 10 | VDD-0.4 | - | - | V |
| Output Low Voltage | VOL | IOL=-4mA, Pins 4, 8, 9 and 10 | - | - | 0.4 | V |
| Input Leakage Current | ILH | VIN=VDD, Pins 5, 6 and 7 | -30 | - | 30 | µA |
| Input Leakage Current | ILL | VIN=GND, Pins 5, 6 and 7 | -15 | - | 15 | µA |
| Pull-Down Resistor | RPD | Pins 5, 6 and 7 | 100 | 150 | 250 | kΩ |
| Operating Supply Current | IDD1 | CLKIN=26MHz, OE1=OE2=OE3=1, CL=0 | - | 3.0 | - | mA |
| Operating Supply Current | IDD2 | OE1=OE2=OE3=0 CLKIN=Low or High | - | - | 1.5 | µA |
| Input Capacitance | CIN | Pins 5, 6 and 7 | - | 3 | 5 | pF |
| Load Capacitance | CL | CLKOUT1/2/3, Pins 8, 9 and 10 | - | 10 | 20 | pF |

AC Electrical Characteristics (I-Grade)

Unless otherwise stated VDD= 2.5V+/- 10% and Operation Temperature Range -40 to +85°C

| Parameter | Symbol | Condition | Min | Typ | Max | Unit |
|---------------------------------|--------|---|-----|--------|------|--------|
| Input Clock Range | CLKIN | External Clock, CMOS square wave or sine wave | 10 | 26.000 | 52 | MHz |
| Output Clock Range | CLKOUT | External Clock, CMOS square wave CLKOUT1/2/3 | 10 | 26.000 | 52 | MHz |
| Input Clock Voltage Swing Level | VINpp | VDD=2.5V | 1.0 | 1.2 | - | Vpp |
| Input Duty Cycle | DCIN | CLKIN, Pin 3 | 30 | 50 | 70 | % |
| Output Clock Rise Time | tr | VDD=1.8, CL=10pF, measured from 10 to 90% of VDD, Pins 4, 8, 9 and 10 | - | 2.0 | 4.00 | ns |
| Output Clock Fall Time | tf | VDD=1.8, CL=10pF, measured from 10 to 90% of VDD, Pins 4, 8, 9 and 10 | - | 2.0 | 4.00 | ns |
| Additive Phase Noise | APN-1 | CLKIN=26MHz and 1 kHz offset CLKOUT1/2/3 | - | -142 | - | dBc/Hz |

| | | | | | | |
|----------------------|-------|---|---|------|-----|--------|
| Additive Phase Noise | APN-2 | CLKIN=26MHz and 10 kHz offset CLKOUT1/2/3 | - | -156 | - | dBc/Hz |
| Additive Phase Noise | APN-3 | CLKIN=26MHz and 100 kHz offset CLKOUT1/2/3 | - | -164 | - | dBc/Hz |
| Power-up Time | tPU | Time for CLKOUT1/2/3 frequency to reach valid frequency after power supply reaches 0.9xVDDvalue | - | 100 | 200 | ns |
| Output Enable Time | tOE1 | Time from OE raising edge to active at outputs CLKOUT1/2/3 (Asynchronous) | - | 25 | - | ns |
| Output Disable Time | tOD | Time from OE falling edge to Hi-Z at outputs CLKOUT1/2/3 (Asynchronous) | - | 25 | - | ns |
| Output Enable Time | tOE2 | Active recovery time from standby (CLKIN=0 or 1) to active at outputs CLKOUT1/2/3 | - | 100 | - | ns |

DC Electrical Characteristics (I-Grade)

Unless otherwise stated VDD= 3.3V+/- 10% and Operation Temperature Range -40 to +85°C

| Description | Symbol | Condition | Min | Typ | Max | Unit |
|--------------------------|--------|-------------------------------------|---------|------|--------|------|
| Operating Voltage | VDD | Operation range, 3.3V+/-10% | 2.95 | -3.3 | 3.65 | V |
| Operating Temperature | TA | I-Grade | -40 | 25 | 85 | °C |
| Input Low Voltage | VIL | CMOS Level, Pins 3.5, 6 and 7 | VSS | - | 0.3VDD | V |
| Input High Voltage | VIH | CMOS Level, Pins 3.5, 6 and 7 | 0.7VDD | - | VDD | V |
| Output High Voltage | VOH | IOH=-4mA, Pins 4, 8, 9 and 10 | VDD-0.4 | - | - | V |
| Output Low Voltage | VOL | IOL=-4mA, Pins 4, 8, 9 and 10 | - | - | 0.5 | V |
| Input Leakage Current | ILH | VIN=VDD, Pins 5, 6 and 7 | -35 | - | 35 | µA |
| Input Leakage Current | ILL | VIN=GND, Pins 5, 6 and 7 | -20 | - | 20 | µA |
| Pull-Down Resistor | RPD | Pins 5, 6 and 7 | 100 | 150 | 250 | kΩ |
| Operating Supply Current | IDD1 | CLKIN=26MHz, OE1=OE2=OE3=1, CL=0 | - | 3.4 | - | mA |
| Operating Supply Current | IDD2 | OE1=OE2=OE3=0 CLKIN=Low or High | - | - | 2.0 | µA |
| Input Capacitance | CIN | Pins 5, 6 and 7 | - | 3 | 5 | pF |
| Load Capacitance | CL | CLKOUT1/2/3, Pins 8, 9 and 10 | - | 10 | 25 | pF |

AC Electrical Characteristics (I-Grade)

Unless otherwise stated VDD= 3.3V+/- 10% and Operation Temperature Range -40 to +85°C

| Parameter | Symbol | Condition | Min | Typ | Max | Unit |
|---------------------------------|--------|--|------|--------|-----|--------|
| Input Clock Range | CLKIN | External Clock, CMOS square wave or sine wave | 10 | 26.000 | 52 | MHz |
| Output Clock Range | CLKOUT | External Clock, CMOS square wave CLKOUT1/2/3 | 10 | 26.000 | 52 | MHz |
| Input Clock Voltage Swing Level | VINpp | VDD=3.3V | 1.32 | 1.4 | - | Vpp |
| Input Duty Cycle | DCIN | CLKIN, Pin 3 | 30 | 50 | 70 | % |
| Output Clock Rise Time | tr | VDD=1.8, CL=10pF, measured from 10 to 90% of VDD, Pins 4, 8, 9 and 10 | - | 1.2 | 2.2 | ns |
| Output Clock Fall Time | tf | VDD=1.8, CL=10pF, measured from 10 to 90% of VDD, Pins 4, 8, 9 and 10 | - | 1.2 | 2.2 | ns |
| Additive Phase Noise | APN-1 | CLKIN=26MHz and 1 kHz offset CLKOUT1/2/3 | - | -138 | - | dBc/Hz |
| Additive Phase Noise | APN-2 | CLKIN=26MHz and 10 kHz offset CLKOUT1/2/3 | - | -157 | - | dBc/Hz |
| Additive Phase Noise | APN-3 | CLKIN=26MHz and 100 kHz offset CLKOUT1/2/3 | - | -165 | - | dBc/Hz |
| Power-up Time | tPU | Time duration until CLKOUT1/2/3 frequency reaches valid frequency after power supply reaches 0.9xVDD value | - | 100 | 200 | ns |
| Output Enable Time | tOE1 | Time from OE raising edge to active at outputs CLKOUT1/2/3 (Asynchronous) | - | 25 | - | ns |
| Output Disable Time | tOD | Time from OE falling edge to Hi-Z at outputs CLKOUT1/2/3 (Asynchronous) | - | 25 | - | ns |
| Output Enable Time | tOE2 | Active recovery time from standby (CLKIN=0 or 1) to active at outputs CLKOUT1/2/3 | - | 100 | - | ns |

| SL18861DI CLKOUT1/2/3 | | | | | | | |
|-------------------------------|---------|---------|---------|---------|---------|---------|-------|
| Phase Noise (dBc/Hz) CL=15pF. | | | | | | | |
| VDD(V) | 100hz | 1Khz | 10Khz | 100Khz | 1Mhz | 5Mhz | Fig # |
| 1.8 | -115.52 | -139.85 | -150.79 | -159.31 | -160.52 | -162.52 | 1 |
| 2.5 | -125.16 | -142.67 | -156.37 | -164.02 | -166.45 | -167.02 | 2 |
| 3.3 | -116.60 | -138.06 | 157.41 | -164.88 | -167.21 | -168.57 | 3 |

Table 2. Output Phase Noise Summary Table

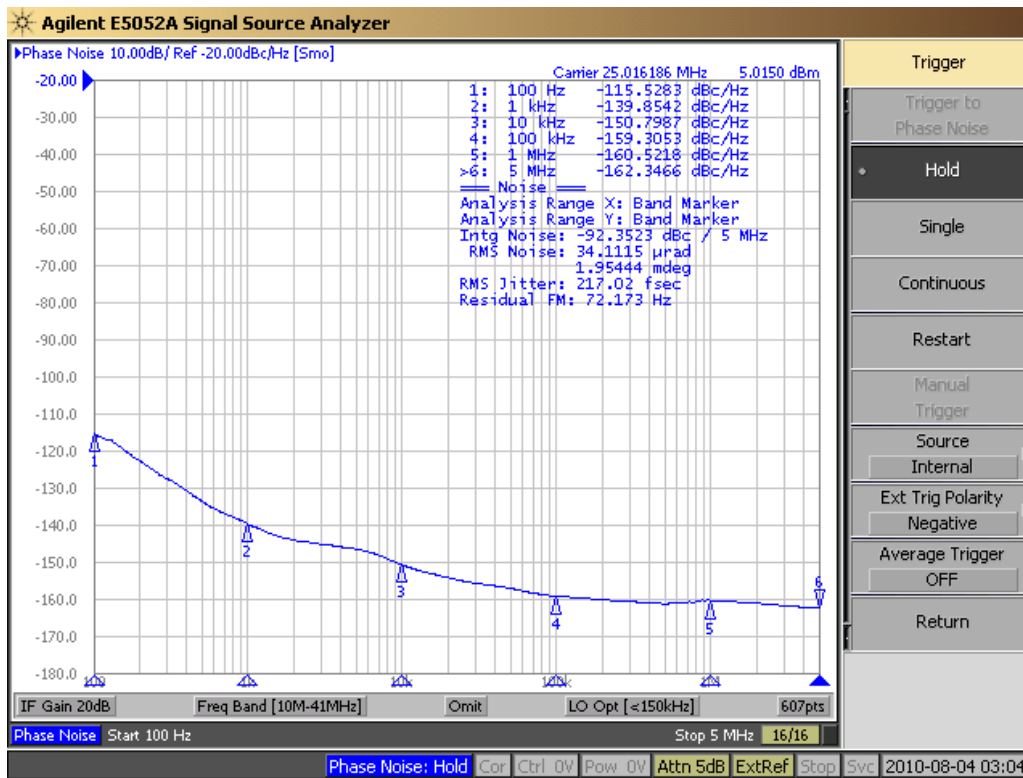


Figure 1. Output Phase Noise VDD=1.8V, CL=15pF

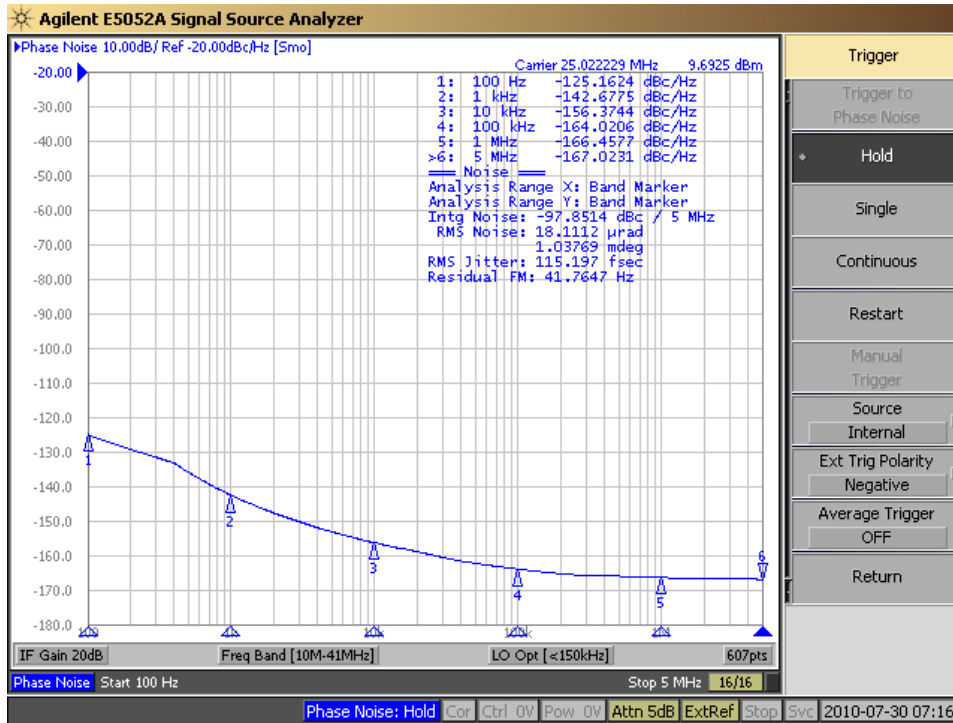


Figure 2. Output Phase Noise VDD=2.5V, CL=15pF

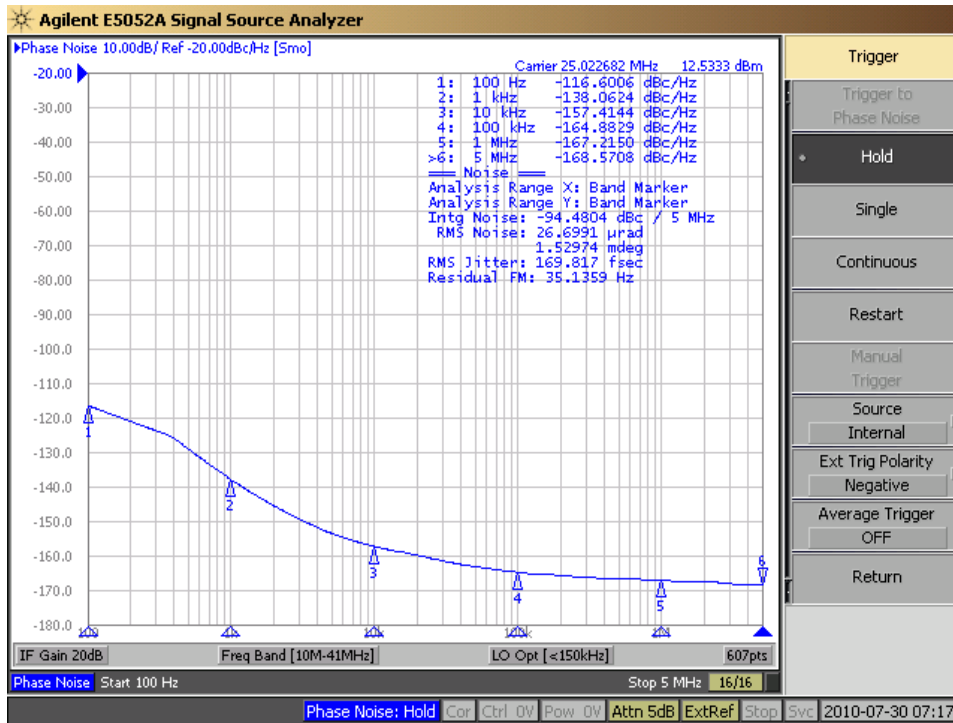
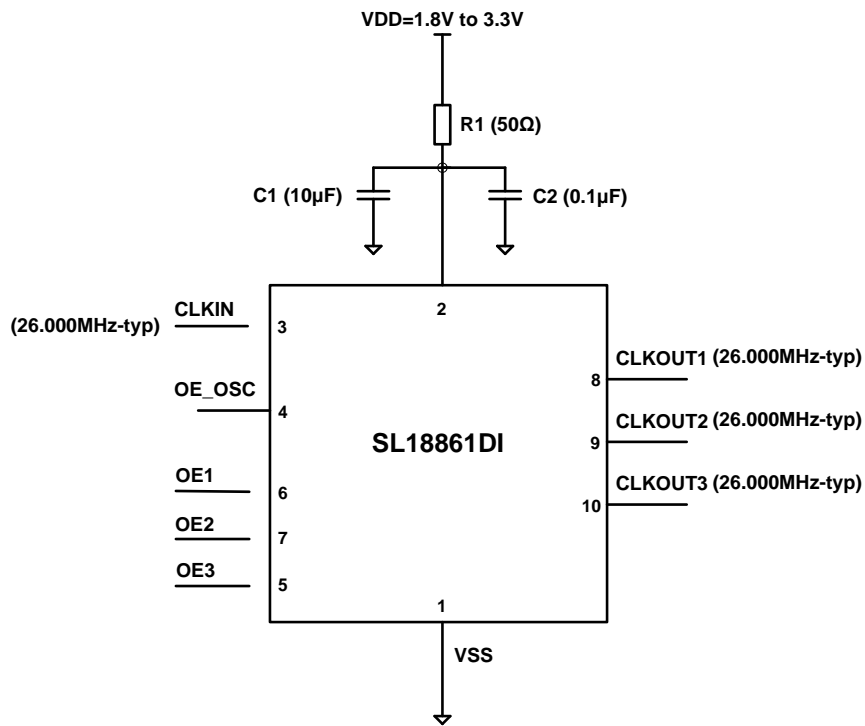


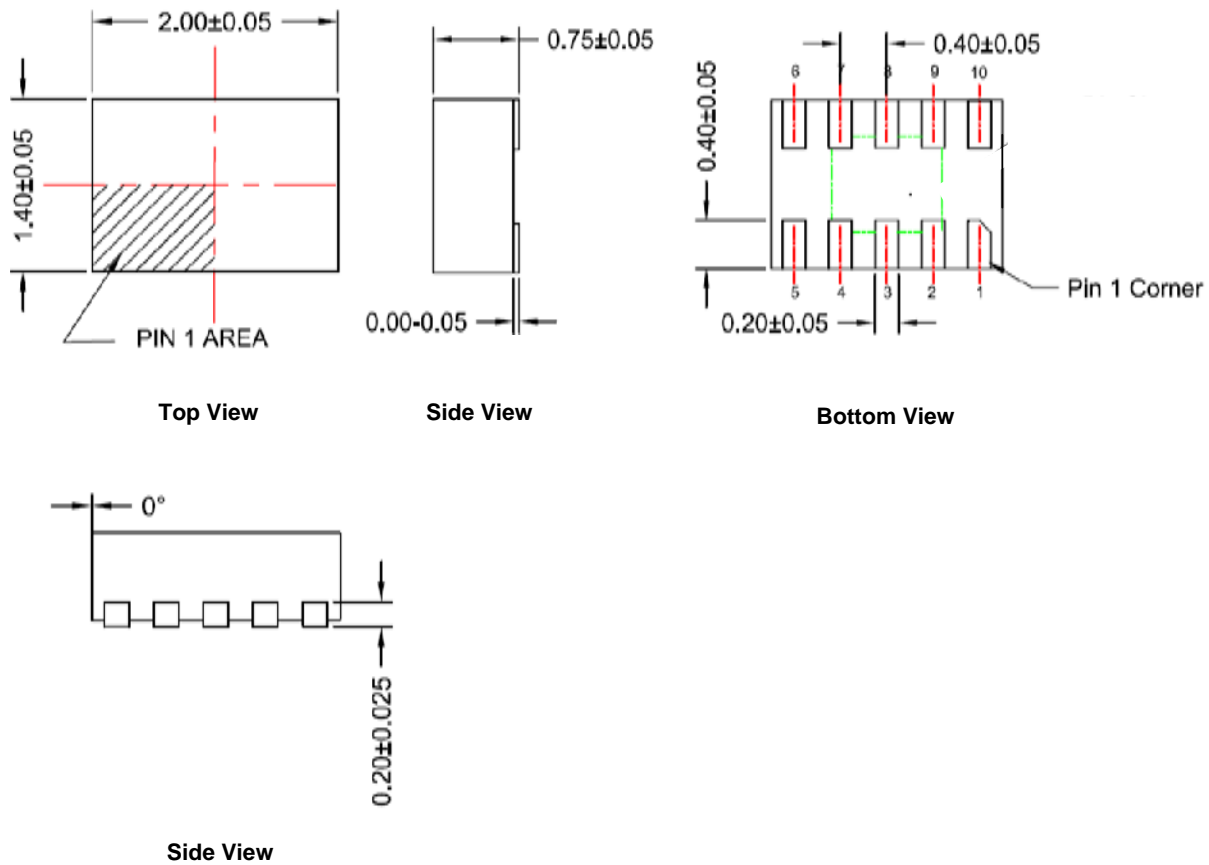
Figure 3. Output Phase Noise VDD=3.3V, CL=15pF

Typical Application Circuit



Package Outline and Package Dimensions

10-Pin TDFN Package (1.4x2.0x0.75 mm)



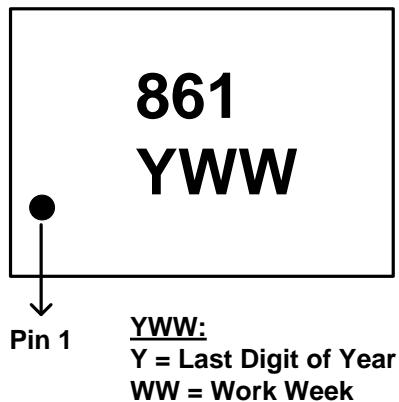
Ordering Information

| Ordering Number | Marking | Shipping Package | Package | Temperature |
|-----------------|---------|------------------|-------------|-------------|
| SL18861DI | 861 | Tube | 10-pin TDFN | -40 to 85°C |
| SL18861DIT | 861 | Tape and Reel | 10-pin TDFN | -40 to 85°C |

Note:

All SLI products are RoHS compliant

Marking Diagram:



The information in this document is believed to be accurate in all respects at the time of publication but is subject to change without notice. Silicon Laboratories assumes no responsibility for errors and omissions, and disclaims responsibility for any consequences resulting from the use of information included herein. Additionally, Silicon Laboratories assumes no responsibility for the functioning of undescribed features or parameters. Silicon Laboratories reserves the right to make changes without further notice. Silicon Laboratories makes no warranty, representation or guarantee regarding the suitability of its products for any particular purpose, nor does Silicon Laboratories assume any liability arising out of the application or use of any product or circuit, and specifically disclaims any and all liability, including without limitation consequential or incidental damages. Silicon Laboratories products are not designed, intended, or authorized for use in applications intended to support or sustain life, or for any other application in which the failure of the Silicon Laboratories product could create a situation where personal injury or death may occur. Should Buyer purchase or use Silicon Laboratories products for any such unintended or unauthorized application, Buyer shall indemnify and hold Silicon Laboratories harmless against all claims and damages.