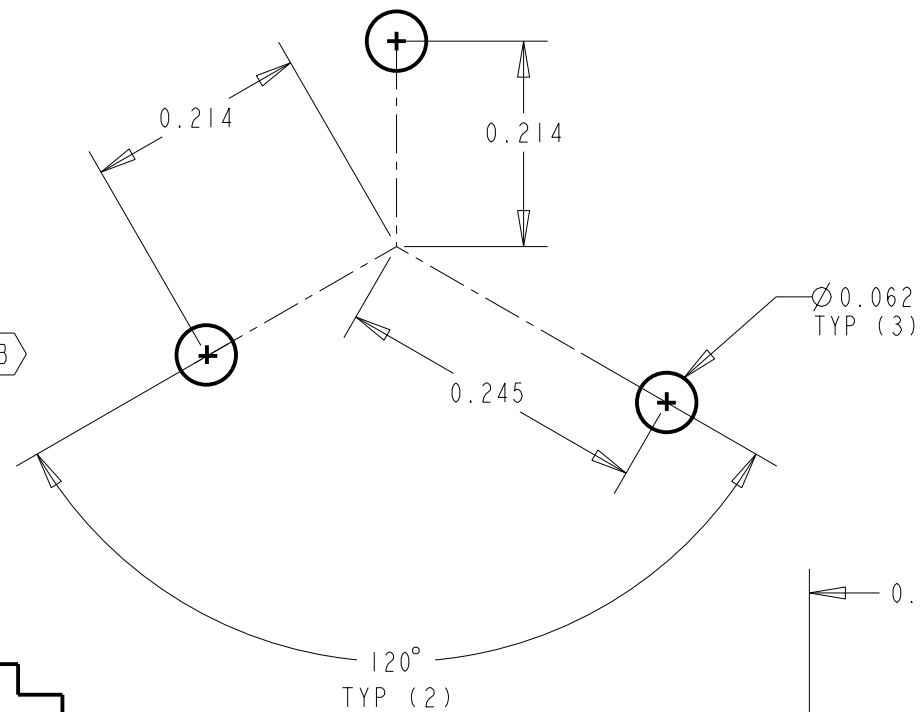
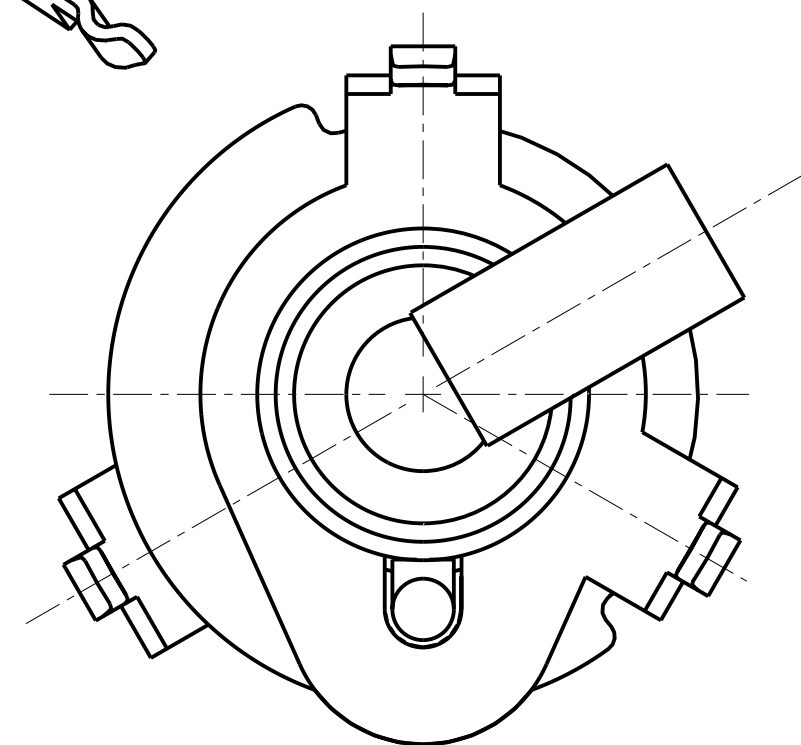
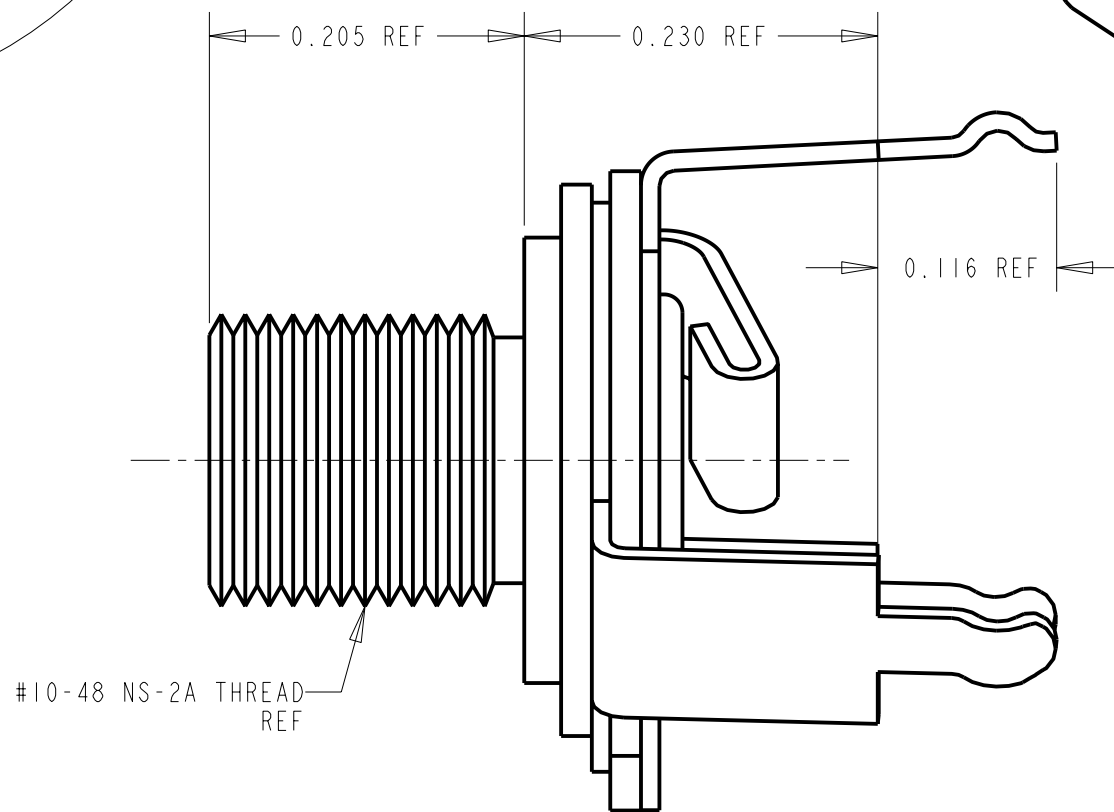
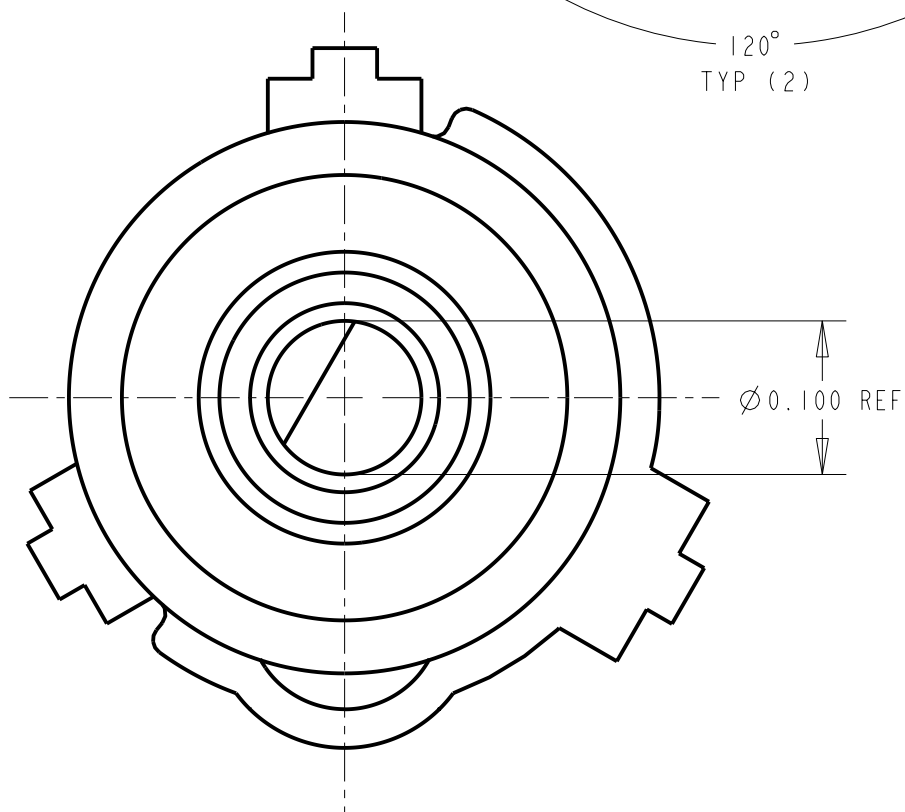
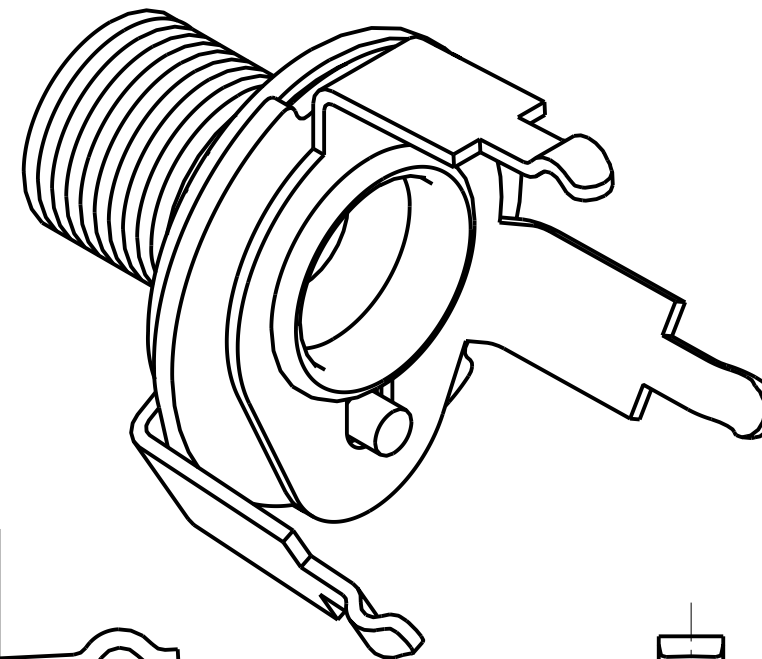
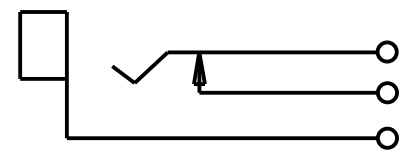


PC LAYOUT
COMPONENT SIDE
SCALE: 1=0.200

B



SCHEMATIC



CUSTOMER DRAWING

MATERIALS:

THREADED BUSHING - BRASS, NICKEL PLATED
 SPRING & TERMINALS - NICKEL SILVER ALLOY,
 ELECTRO TIN PLATED
 INSULATOR - POLYESTER

REV	ECO NUMBER	DATE	BY	APVD
B	22931	7-19-99	JL	TJK
REVISIONS				

★ STAR SYMBOL DENOTES CRITICAL DIMENSION

UNLESS OTHERWISE SPECIFIED

- ALL DIMENSIONS IN INCHES
 - TWO PLACE DECIMALS ±0.01
 - THREE PLACE DECIMALS ±0.005
 - ANGLES ±1°
 - ALL DIA. CONCENTRIC WITHIN 0.005 T.I.R.
- FEATURES ON THE SAME CENTERLINE
 MUST BE ALIGNED WITHIN ±0.002
- REMOVE ALL BURRS

DO NOT SCALE DRAWING

THIS DRAWING DESCRIBES A DESIGN CONSIDERED PROPRIETARY IN NATURE, DEVELOPED AND MANUFACTURED BY SWITCHCRAFT INC. AND IS RELEASED ON A CONFIDENTIAL BASIS FOR IDENTIFICATION PURPOSES ONLY.

SIZE	WIDTH	MULT	LBS/M	TEMPER
FINISH				
SPEC No.				
FIRST USED ON			SCALE	
			1=0.125	
DATE DRAWN	BY	CHKD	APVD	
3-24-94	ES	BND 4-19-94	GHJ 4-19-94	
NAME				PART No.
JACK ASSEMBLY				TRIPC
				REV
				B

Switchcraft

SHEET 1 OF 1