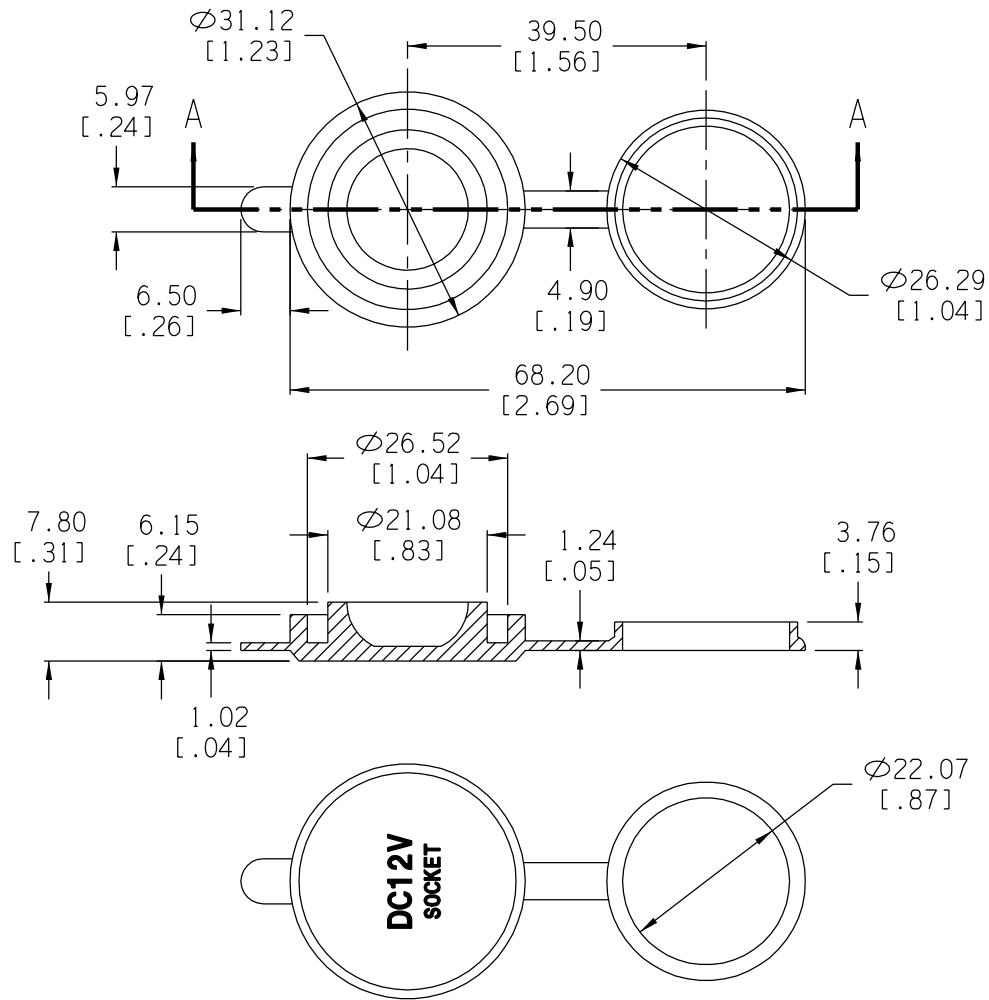



Date	SYM	REVISION RECORD	AUTH	DR.	CK.



NOTES:

MATERIAL: RUBBER
COLOR: RED

Tolerance (Inches)	 Memory Protection Devices, Inc. 200 Broad Hollow Road, Farmingdale, New York 11735		
Decimal		Scale	Drawn By B.S.
$\pm .5$ (.020)			Approved By T.B.
Fractional	Title		
$\pm .8$ (.030)	RUBBER CAP FOR CIGARETTE SOCKET		
Angular	Date	Drawing Number	
$\pm 3^\circ$	06/12/04	ZA2081-R	