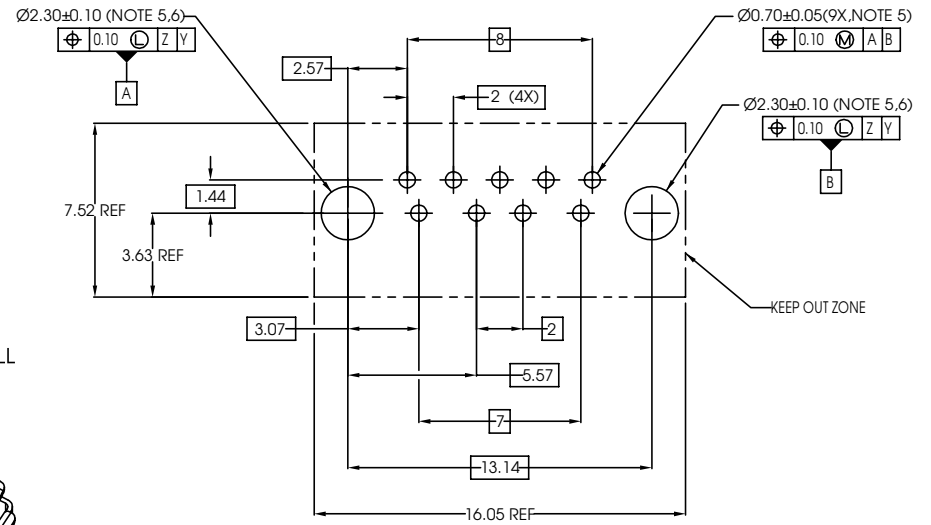
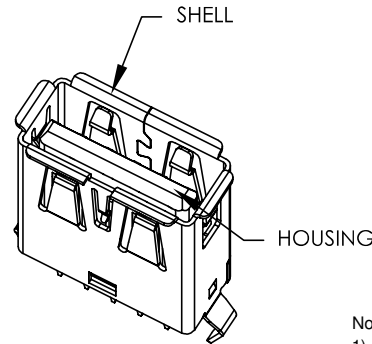
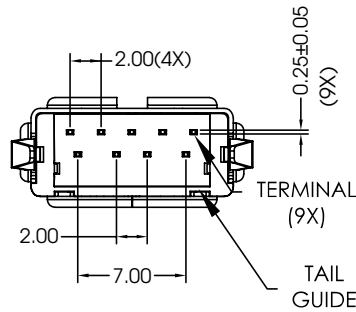
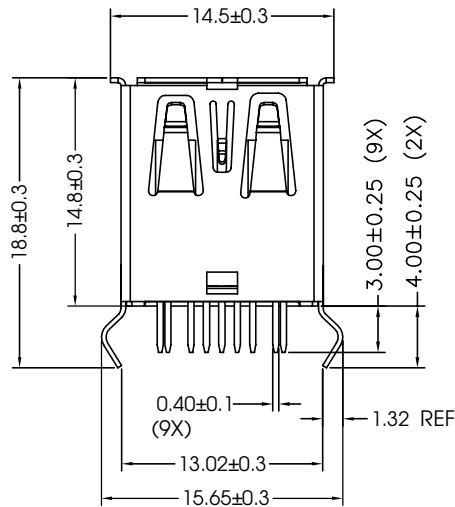
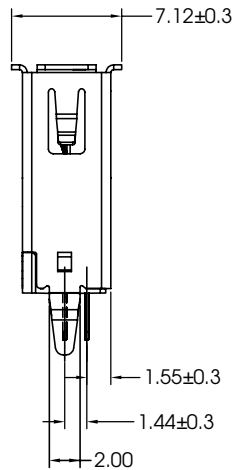
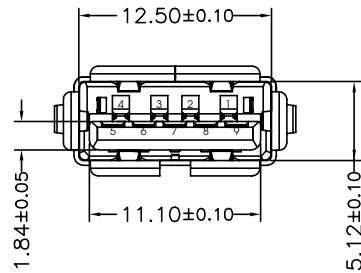




PART NUMBER	Contact Area Plating	DURABILITY (cycles)
10117836-001LF	30u" (0.76um) Min. gold	3500 Min.
10117836-002LF	Gold Flash	1500 Min.



Recommended PCB Layout
PCB Thickness=1.8±0.1mm

Notes:

- Materials
Housing & Tail Guide: Glass fiber filled thermoplastic resin, UL94 V-0 rated, color blue.
Terminals: Copper Alloy, 50u"(1.27um) Min. Ni underplated over all.
Contact area: see table
Tail area: 80u"(2.0um) Min. Matte Tin plated.
Shell: Copper Alloy, 50u"(1.27um) Min. Ni plated over all.
- Product specification refer to FCI GS-12-0928.
- Package specification refer to GS-14-2157 (Tray package style).
- This product will withstand exposure to 260 °C peak temp. for 10 seconds in a wave soldering application with recommended thick circuit board.
- Product meets European Union Directives and other country regulations as described in FCI GS-22-008.
- Recommended PCB hole is finished plating through hole (PTH) size.
- Datum Z,Y and basic dimensions were constructed by customer.

mat'l. code	surface ASME Y14.5	tolerance ASME Y14.5	projection	product family USB 3.0
l t r e c n n o d r	tolerances unless otherwise specified		MM	title USB 3.0 Standard-A Receptacle Vertical Type Soldering to Board Termination
A	AZH	07/17/2012	scale	dwg no 10117836
	dr	BEER FU	032111	sheet 1 of 1
	enr	BEER FU	032111	size A4
	chr	BEER FU	032111	type CUSTOMER Drawing
	app	BEER FU	032111	
sheet index	revision A	sheet 1		